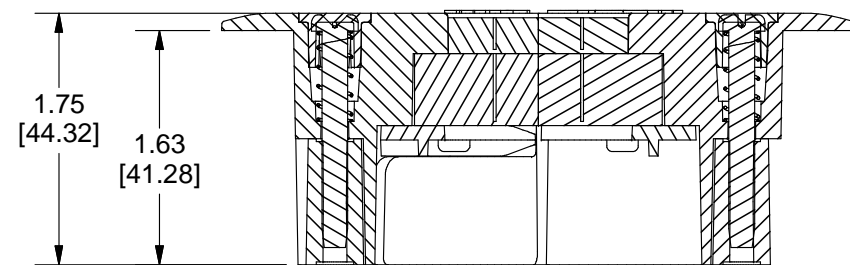
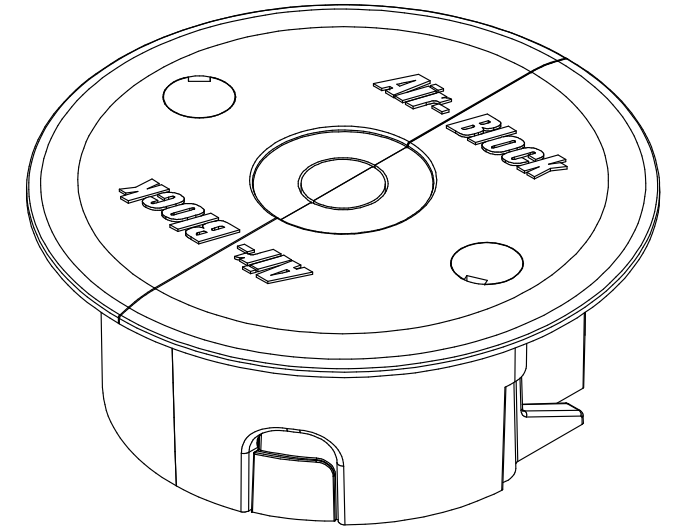


SECTION A-A
SCALE 3/4



SECTION B-B
SCALE 3/4

NOTES:

- 1 RECOMMENDED FLOOR TILE CUT-OUT DIMENSIONS.
- Ø3.5" [88.9 MM] DIAMETER CUTOUT

Custom Plastic Distributors, Inc.

Air Block Dimensional Drawing			
This document and the information on it is the property of Custom Plastic Distributors, Inc.			
Drawing No.:		Page 1 Of	1
Date:	12/10/2009	Revision	1
Part No.:	GT020APG		